

## CompactFlash Cards

# CF180

Transcend's SuperMLC technology is a cost-effective solution that offers performance close to that of SLC NAND flash at a more affordable price. Boasting a high-speed data transfer rate, Transcend's SuperMLC CF180 CompactFlash cards are perfect for embedded systems, medical instruments, road surveillance systems, and other industrial applications having high performance and capacity demands. Thanks to their use of Static Data Refresh and Early Retirement technology, CF180 CF cards feature error correction capability, maintain data integrity, and have an extended lifespan.

## Features

- RoHS compliant product
- CompactFlash specification version 6.0 compliant
- Support S.M.A.R.T (Self-defined)
- Support Security Command
- Support Static Data Refresh, Early Retirement to extend product life
- Operation Modes: PC Card Memory, PC Card IO, True IDE
- True IDE Mode supports: UDMA0-5, MDMA0-4, PIO0-6
- True IDE mode: Fixed Disk (Standard)
- PC Card Mode supports up to Ultra DMA Mode 5
- Built-in ECC (Error Correction Code) functionality and wear-leveling algorithm to ensure reliable data transfer
- Intelligent Power Shield prevents data loss in the event of a sudden power outage

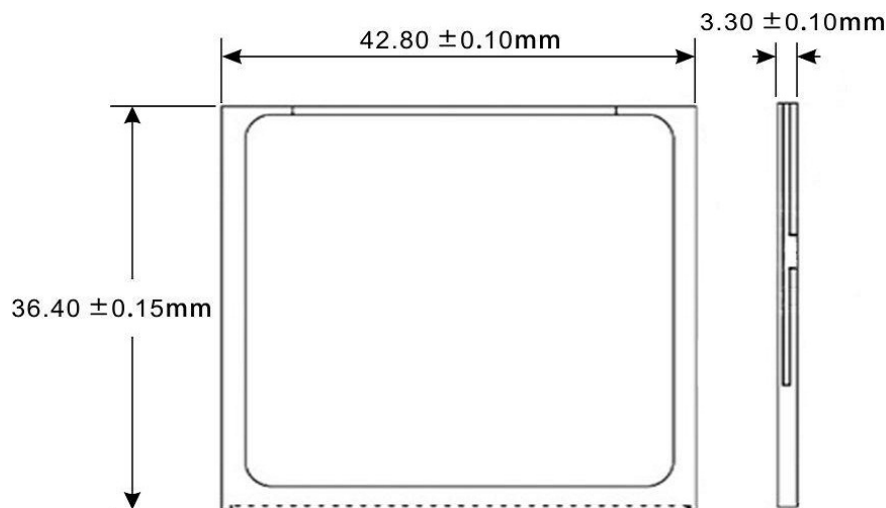
## Ordering Information

4GB	TS4GCF180
8GB	TS8GCF180
16GB	TS16GCF180

## Specifications

Appearance	Dimensions	42.8 mm x 36.4 mm x 3.3 mm (1.69" x 1.43" x 0.13")
	Pin	50 pin
	Form Factor	Compact flash card
Storage	Flash Type	SuperMLC
	Capacity	4 GB/8 GB/16 GB
Operating Environment	Operating Voltage	3.3V±5% or 5V±10%
	Operating Temperature	0°C (32°F) ~ 70°C (158°F)
	Storage Temperature	-40°C (-40°F) ~ 85°C (185°F)
	Humidity	0% ~ 95%
	Shock	1500 G, 0.5 ms, 3 axis
	Vibration (Operating)	20 G (peak-to-peak), 20 Hz ~ 2,000 Hz (frequency)
Power	Power Consumption (Max.)	0.5 watt(s)
Performance	Read Speed (Max.)	85 MB/s
	Write Speed (Max.)	70 MB/s
	Terabytes Written (Max.)	210 TBW
	Mean Time Between Failures (MTBF)	3,000,000 hour(s)
Warranty	Warranty	Three-year Limited Warranty
Note	• Speed may vary due to host hardware, software, usage, and storage capacity.	

## Mechanical Dimensions



Product specifications are subject to change without notice. Pictures shown may differ from actual products. Total accessible capacity varies depending on operating environment. Due to the complexity and variety of industrial applications, Transcend cannot guarantee 100% compatibility with all platforms and under all scenarios. For special applications and environments, it is strongly suggested that you contact Transcend beforehand for clarification.



Please feel free to contact us with any special requests you might have.  
Tel: +886-2-2792-8000 [www.transcend-info.com](http://www.transcend-info.com)